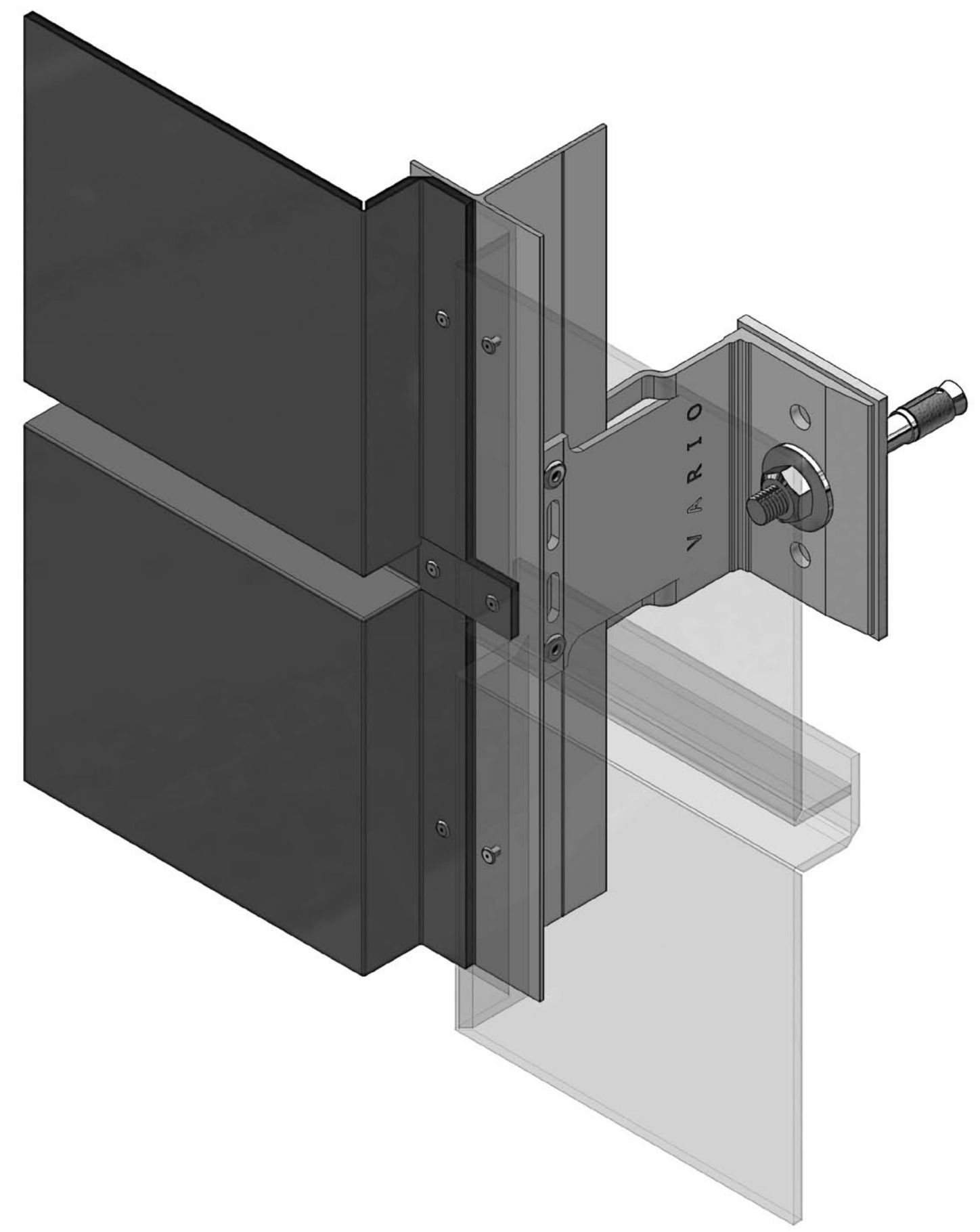




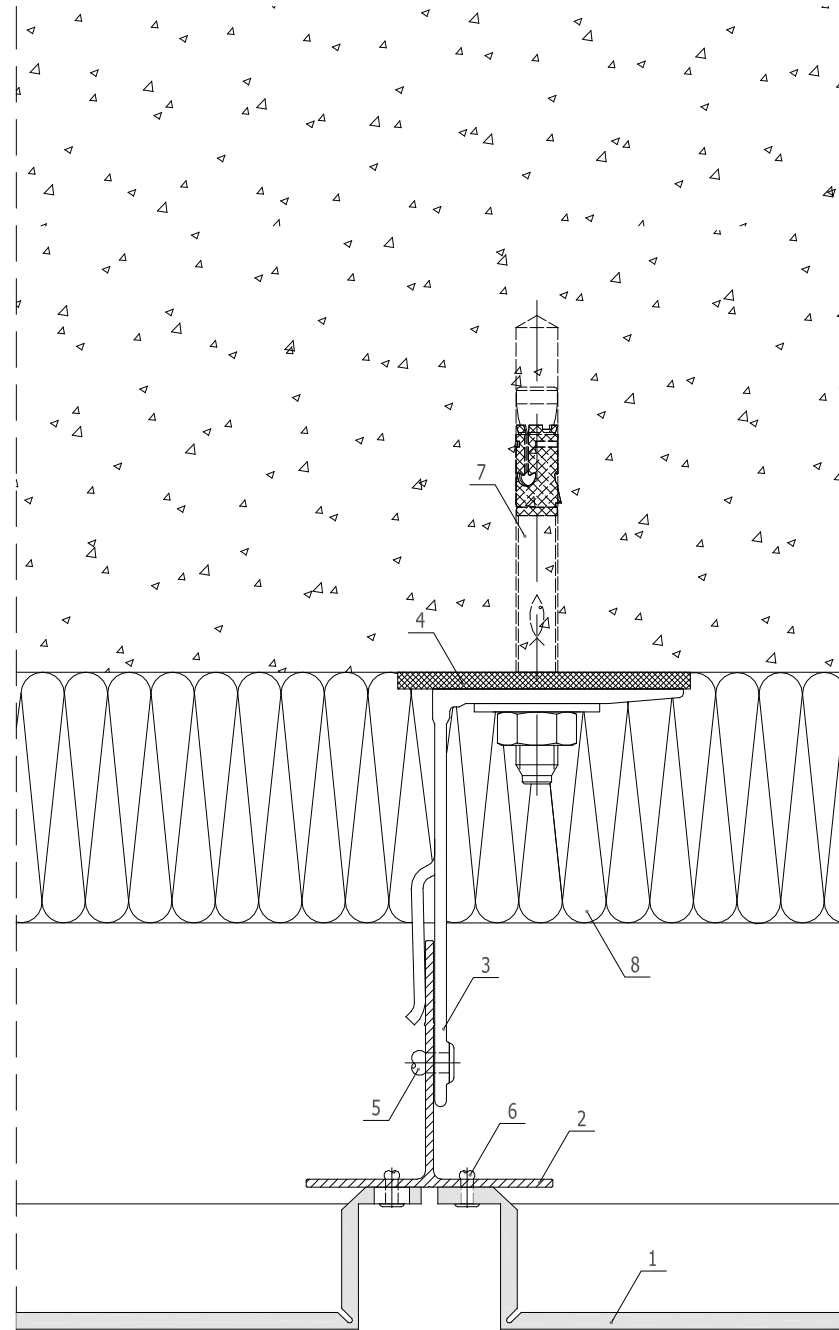
VARIO

# VENTILATED FAÇADE SYSTEM FOR MOUNTING ETALBOND®



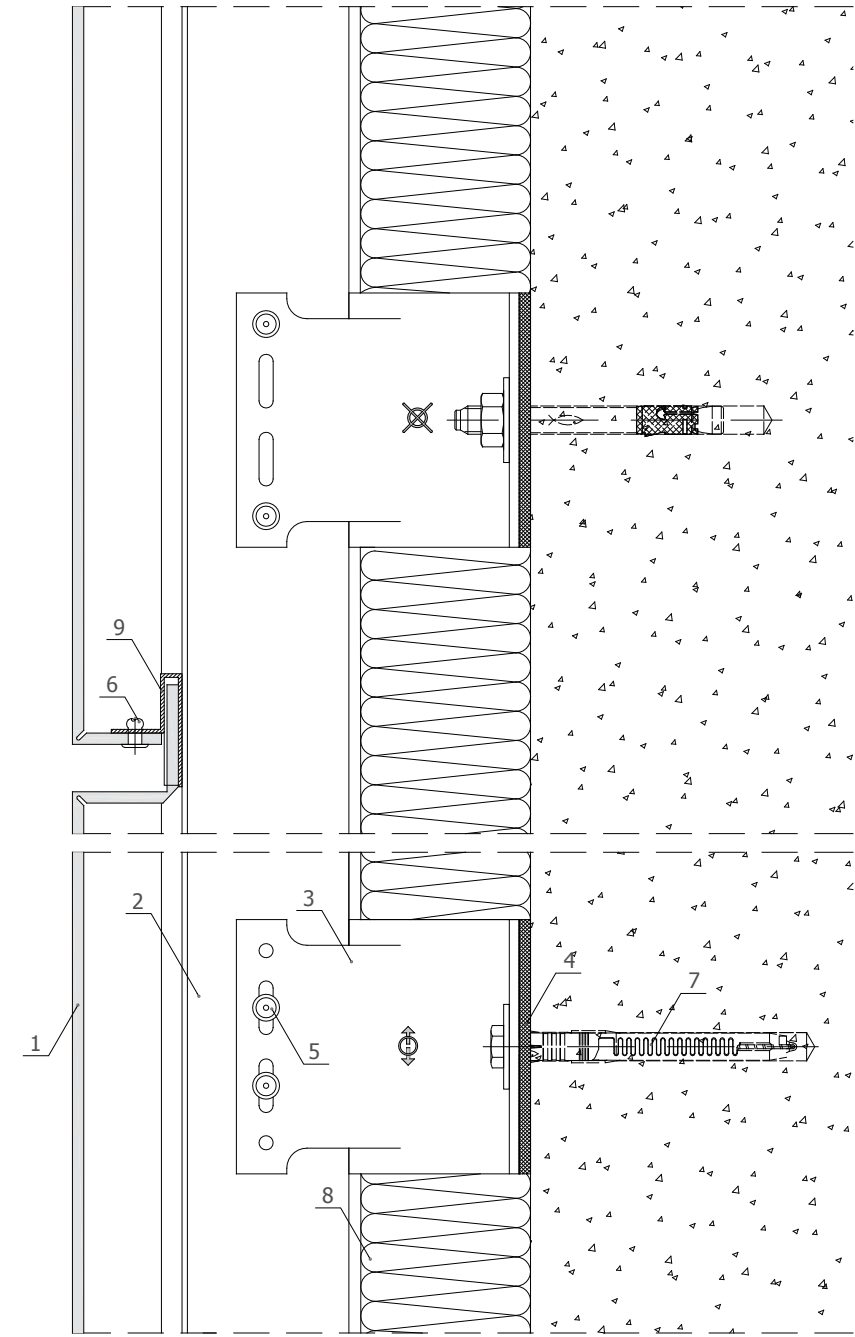
VARIO

## detail 1- etalbond®



1. etalbond®
2. main profile
3. fixing bracket-100 mm
4. thermo-insulation pad
5. rivet - 4.8x12
6. rivet - 3.2x11
7. anchor/plug
8. thermal insulation

## detail 2 - etalbond®



1. etalbond®
2. main profile
3. fixing bracket-100 mm
4. thermo-insulation pad
5. rivet - 4.8x12
6. rivet - 3.2x11
7. anchor/plug
8. thermal insulation
9. supporting profile

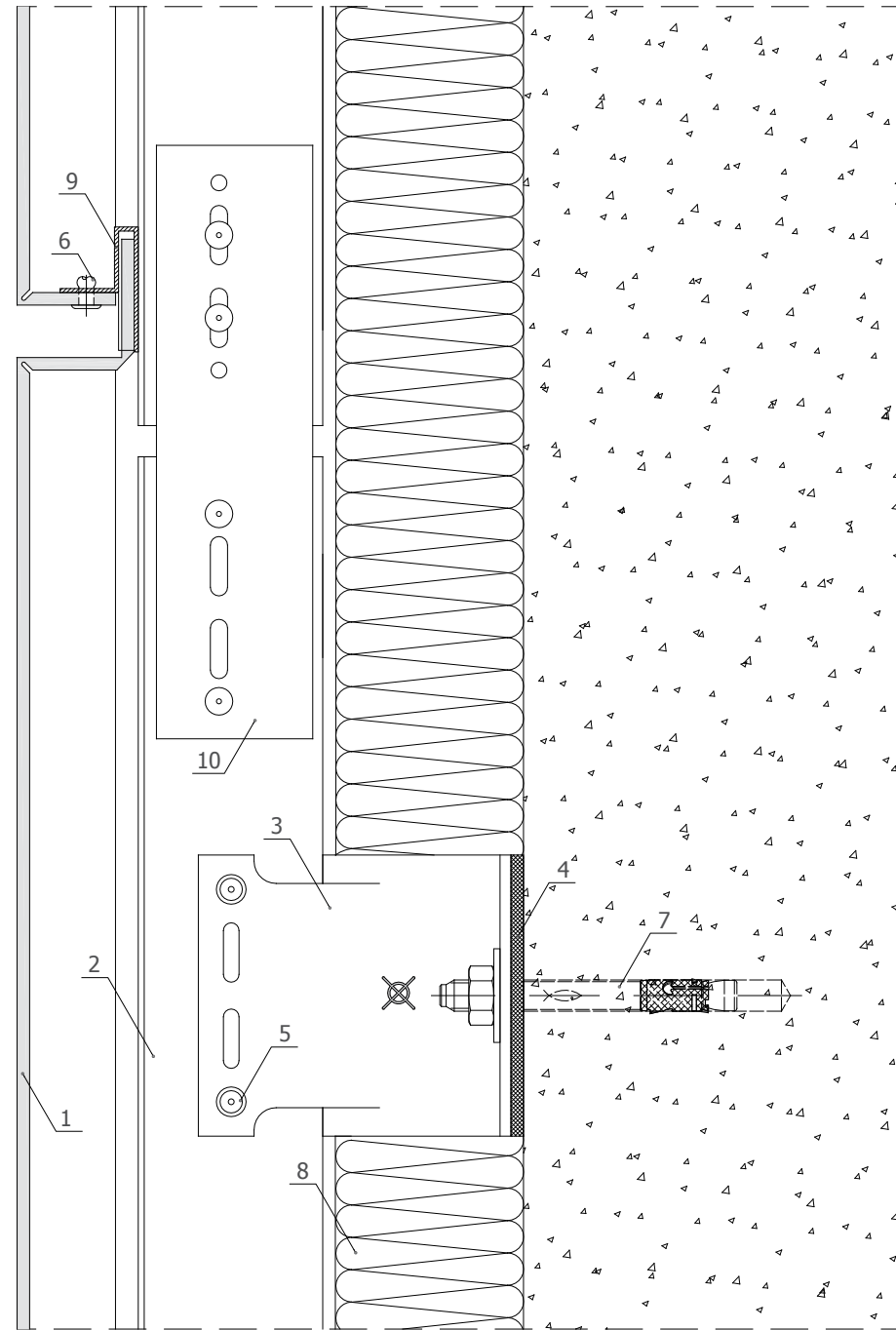
03/2010

The engineering design of this product is an intellectual property of ETEM Building Systems.  
Copying and distributing any parts of the product is a violation of the copyright law.

03/2010

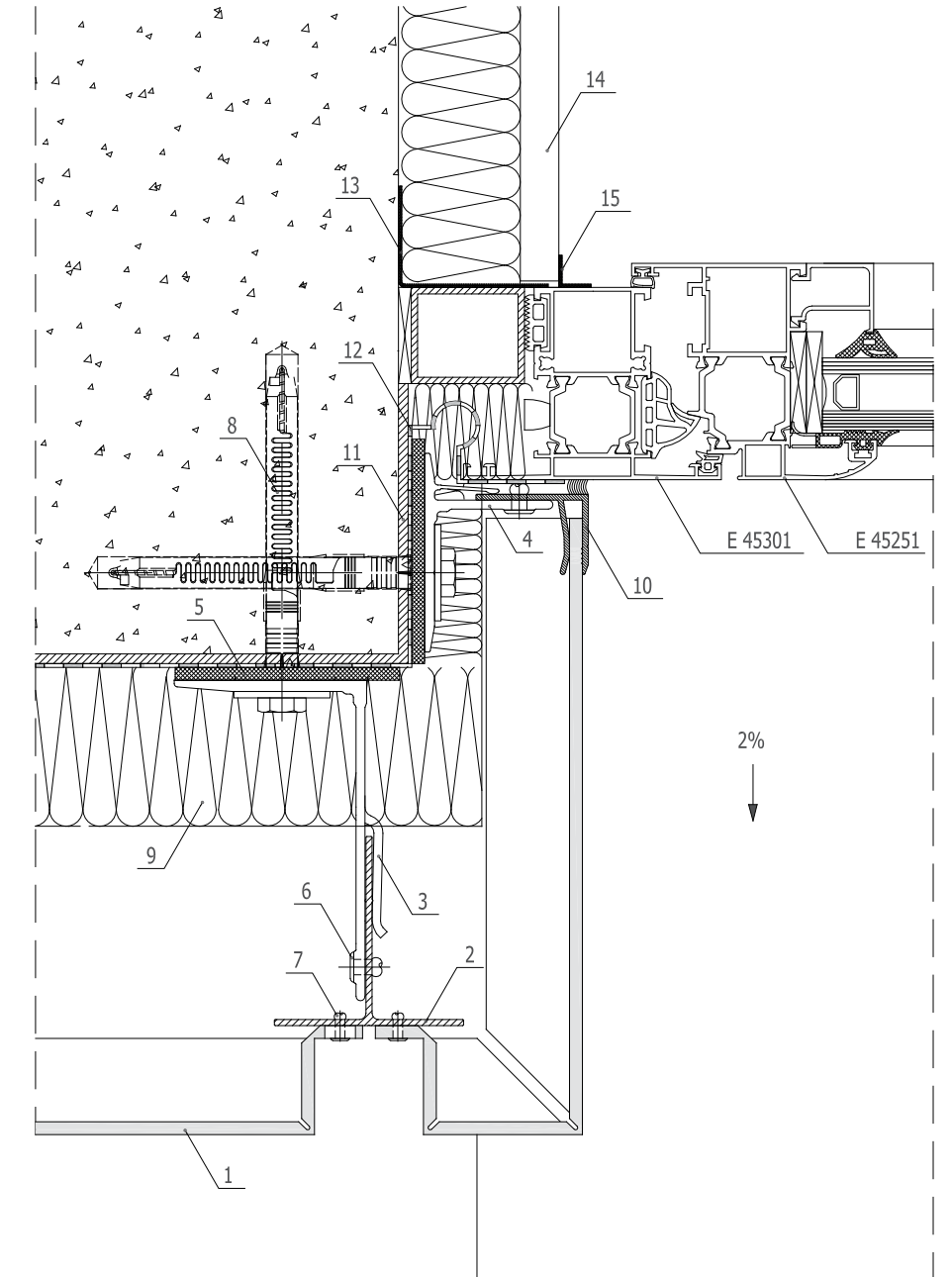
The engineering design of this product is an intellectual property of ETEM Building Systems.  
Copying and distributing any parts of the product is a violation of the copyright law.

## detail 2.1 - etalbond®



1. etalbond®
2. main profile
3. fixing bracket -100 mm
4. thermo-insulation pad
5. rivet - 4.8x12
6. rivet - 3.2x11
7. anchor/plug
8. thermal insulation
9. supporting profile
10. joint profile

## detail 3 - etalbond®



1. etalbond®
2. main profile
3. fixing bracket -100 mm
4. fixing bracket - 40 mm
5. thermo-insulation pad
6. rivet - 4.8x12
7. rivet - 3.2x11
8. anchor/plug
9. thermal insulation
10. F profile
11. aluminum sheet 3 mm
12. waterproofing
13. streamproofing membrane
14. plasterboard
15. decorative PVC profile

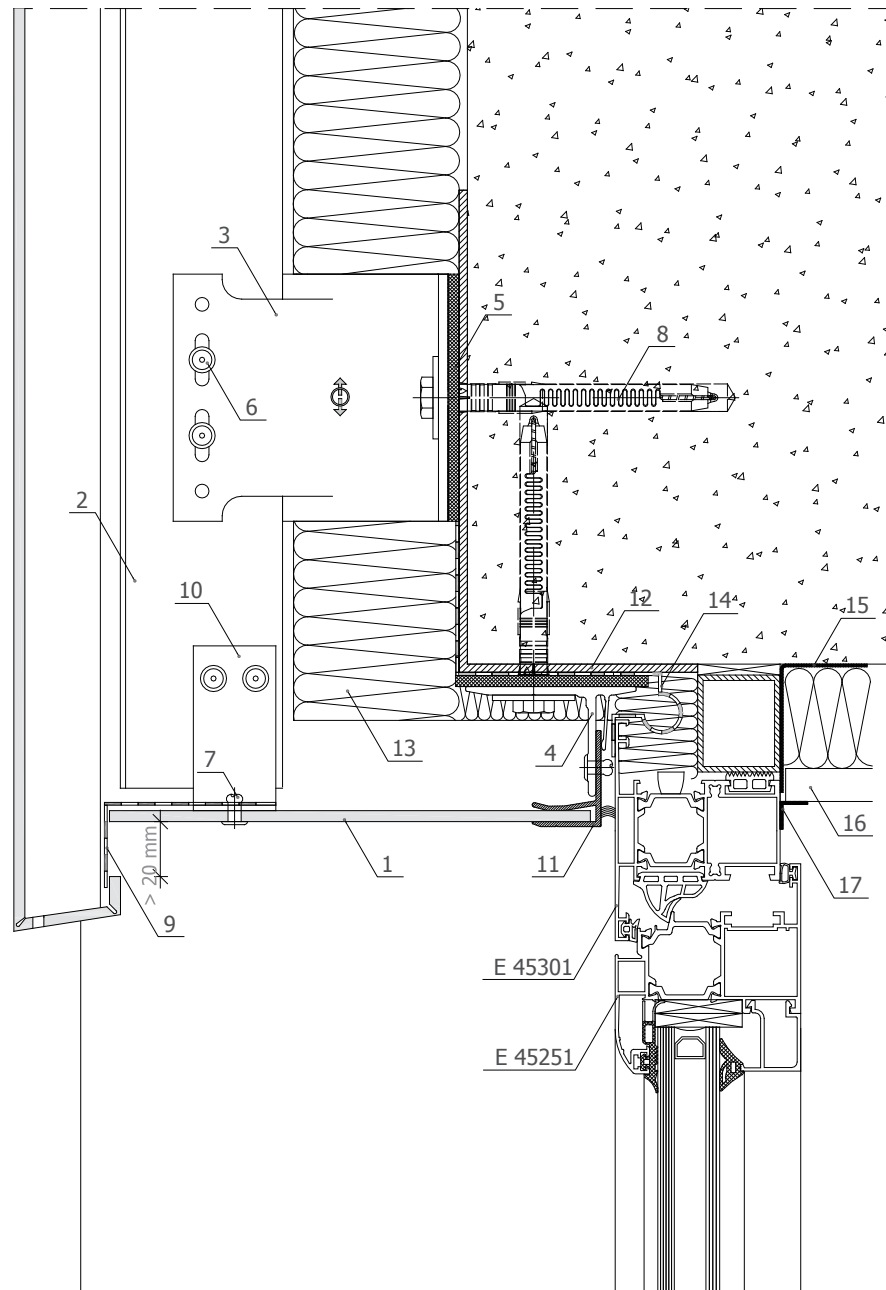
03/2010

The engineering design of this product is an intellectual property of ETEM Building Systems.  
Copying and distributing any parts of the product is a violation of the copyright law.

03/2010

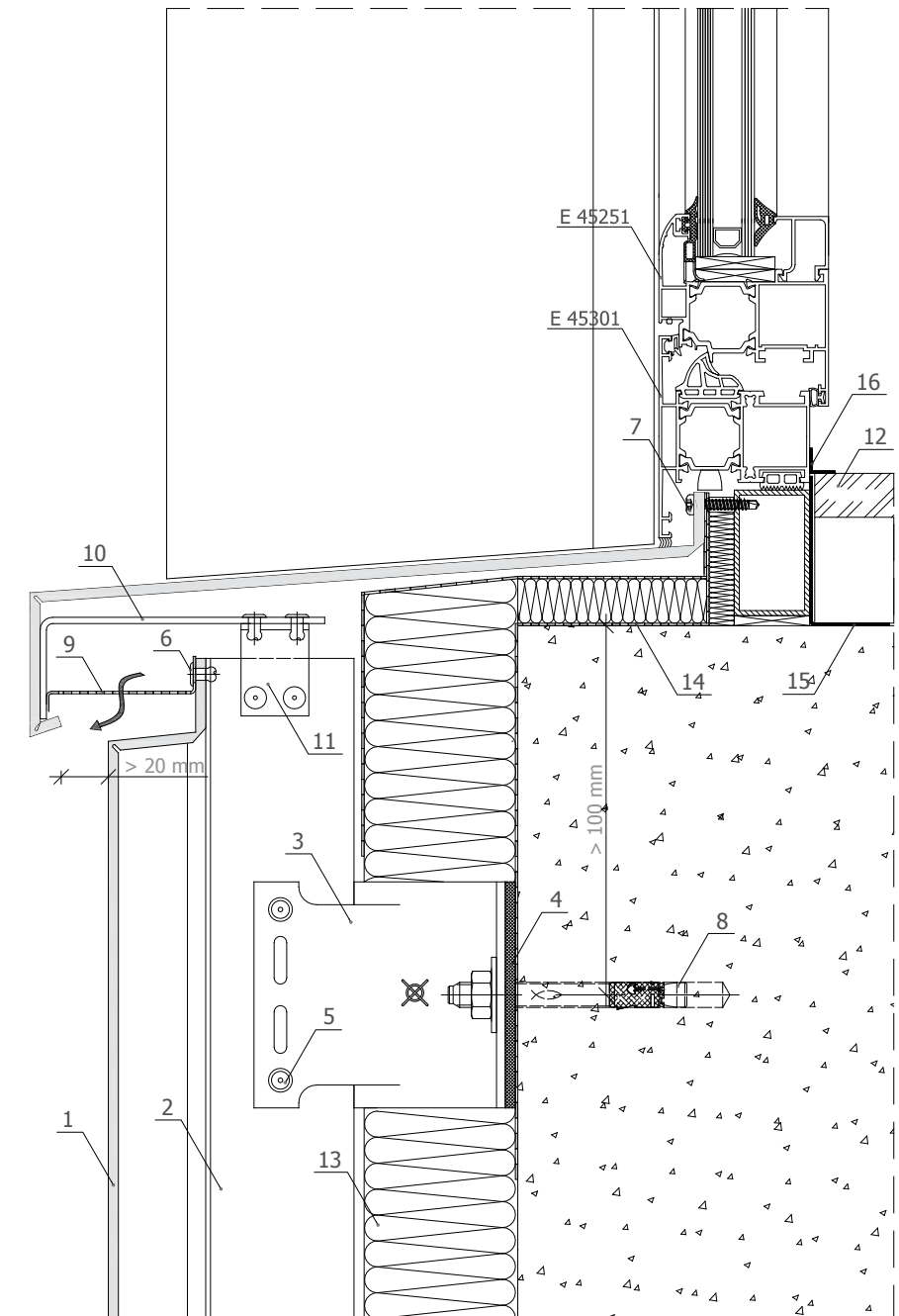
The engineering design of this product is an intellectual property of ETEM Building Systems.  
Copying and distributing any parts of the product is a violation of the copyright law.

## detail 4 - etalbond®



1. etalbond®
2. main profile
3. fixing bracket -100 mm
4. fixing bracket - 40 mm
5. thermo-insulation pad
6. rivet - 4.8x12
7. rivet - 3.2x11
8. plug
9. perforated metal sheet
10. L profile
11. F profile
12. aluminum sheet 3 mm
13. thermal insulation
14. waterproofing
15. streamproofing membrane
16. plasterboard
17. decorative PVC profile

## detail 5 - etalbond®



1. etalbond®
2. main profile
3. fixing bracket -100 mm
4. thermo-insulation pad
5. rivet - 4.8x12
6. rivet - 3.2x11
7. self drilling screw - 4.2x26
8. anchor
9. perforated metal sheet
10. aluminum sheet 3 mm
11. L profile
12. drip sill
13. thermal insulation
14. waterproofing
15. streamproofing membrane
16. decorative PVC profile

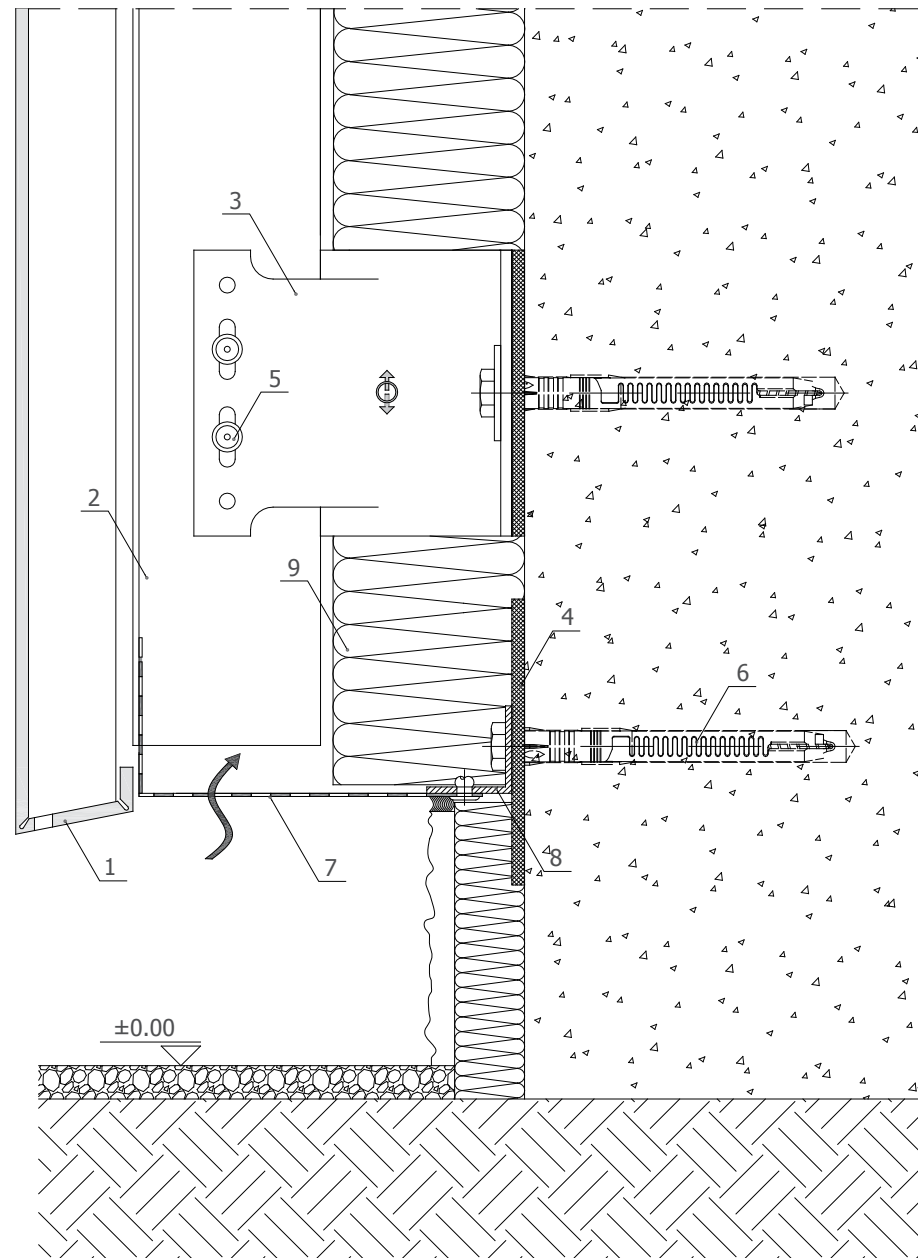
03/2010

The engineering design of this product is an intellectual property of ETEM Building Systems.  
Copying and distributing any parts of the product is a violation of the copyright law.

03/2010

The engineering design of this product is an intellectual property of ETEM Building Systems.  
Copying and distributing any parts of the product is a violation of the copyright law.

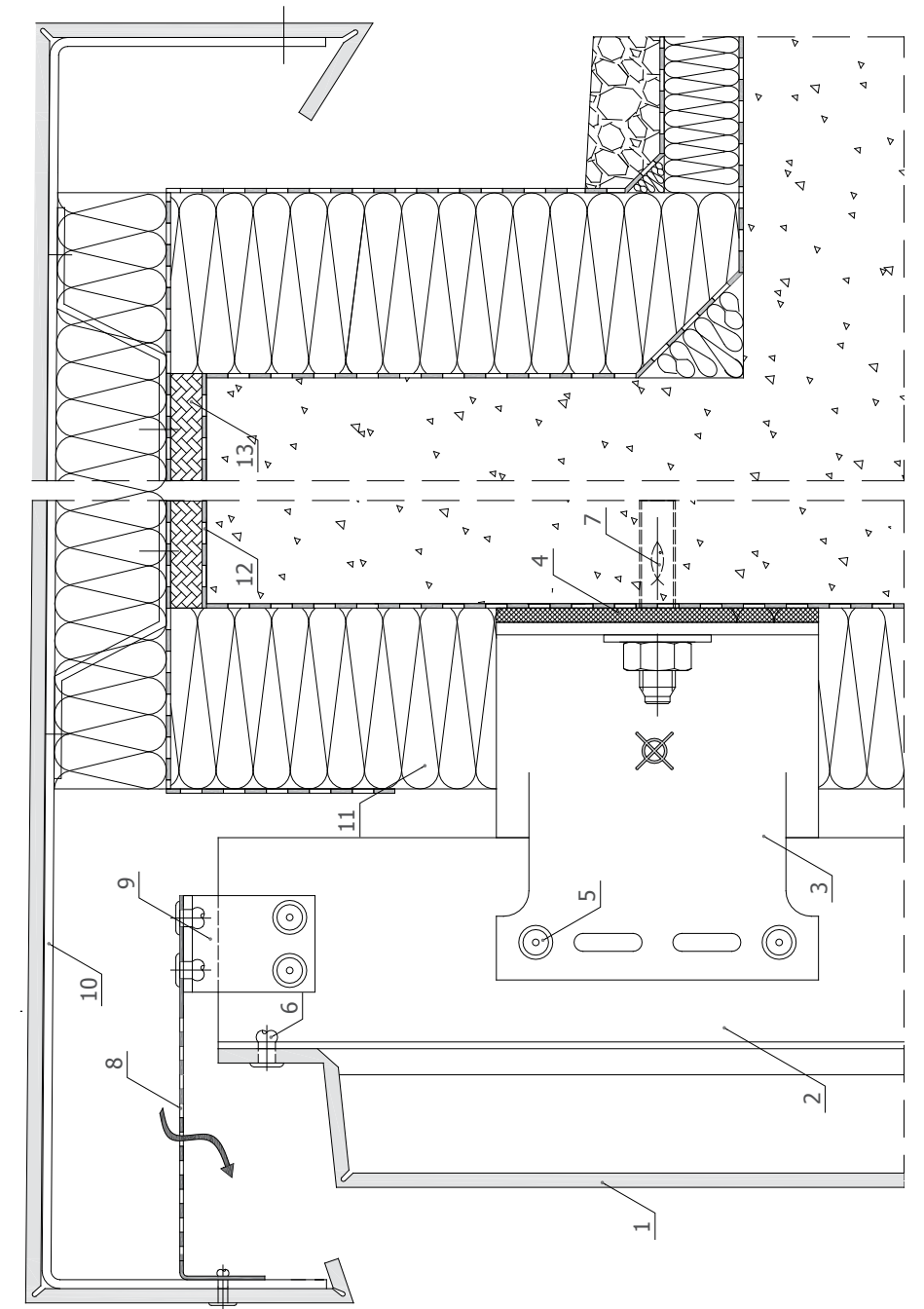
## detail 6 - etalbond®



1. etalbond®
2. main profile
3. fixing bracket -100 mm
4. thermo-insulation pad
5. rivet - 4.8x12
6. anchor/plug
7. perforated metal sheet
8. L profile
9. thermal insulation

1. etalbond®
2. main profile
3. fixing bracket -100 mm
4. thermo-insulation pad
5. rivet - 4.8x12
6. rivet - 3.2x11
7. anchor/plug
8. perforated metal sheet
9. L profile
10. aluminum sheet 2 mm
11. thermal insulation
12. waterproofing
13. plywood

## detail 7 - etalbond®



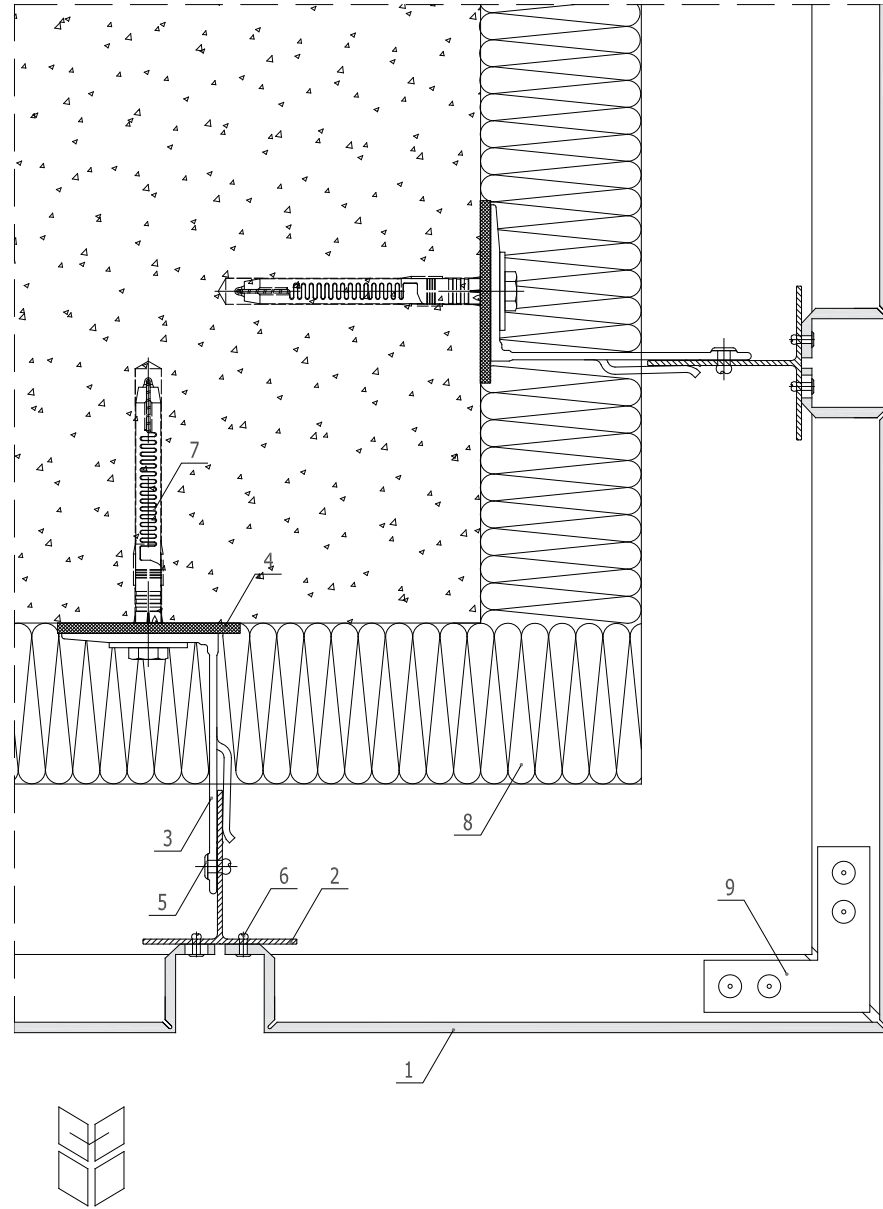
03/2010

The engineering design of this product is an intellectual property of ETEM Building Systems.  
Copying and distributing any parts of the product is a violation of the copyright law.

03/2010

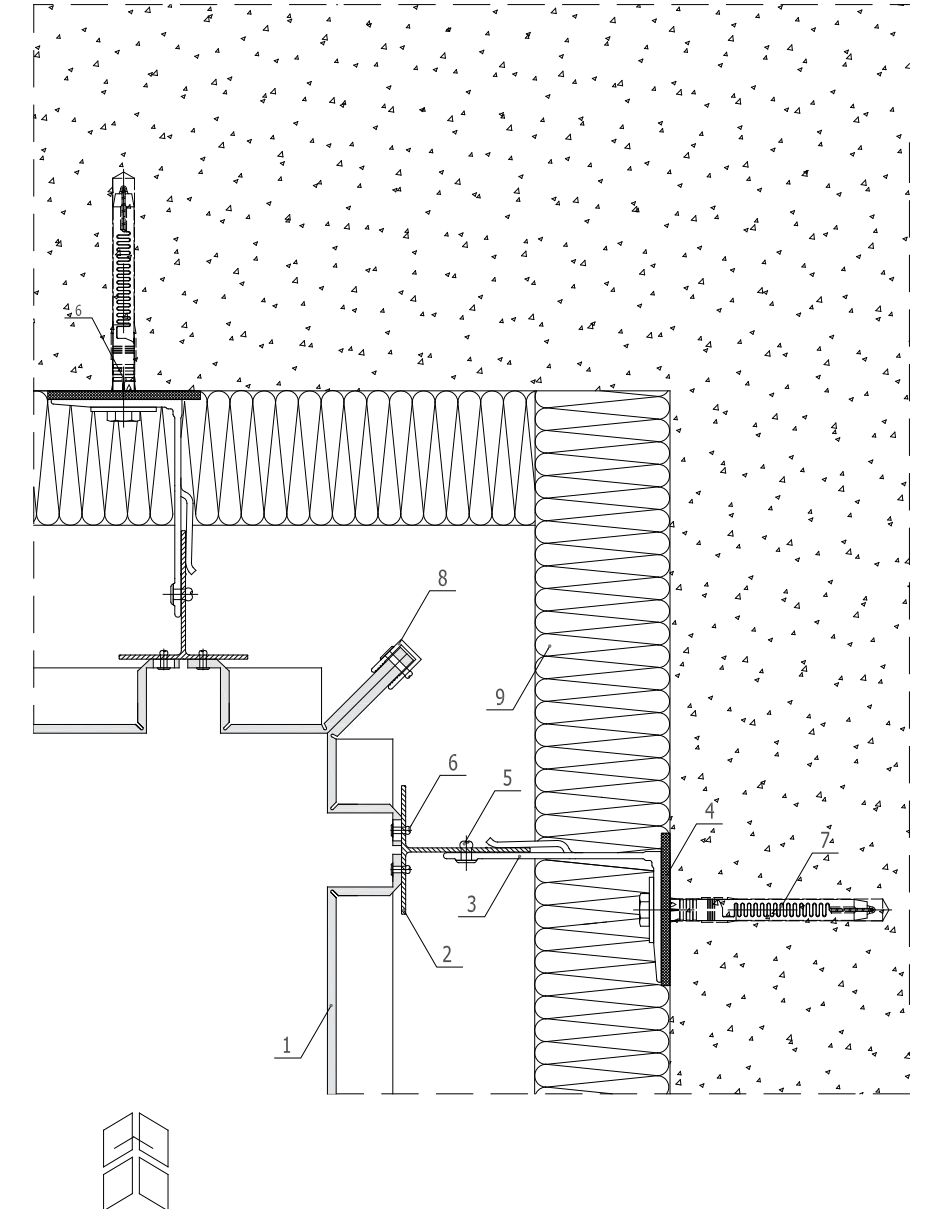
The engineering design of this product is an intellectual property of ETEM Building Systems.  
Copying and distributing any parts of the product is a violation of the copyright law.

## detail 8 - etalbond®



1. etalbond®
2. main profile
3. fixing bracket-100 mm
4. thermo-insulation pad
5. rivet - 4.8x12
6. rivet - 3.2x11
7. anchor/plug
8. thermal insulation
9. aluminum strap

## detail 9 - etalbond®



1. etalbond®
2. main profile
3. fixing bracket-100 mm
4. thermo-insulation pad
5. rivet - 4.8x12
6. rivet - 3.2x11
7. anchor/plug
8. strengthening profile code 5256
9. thermal insulation

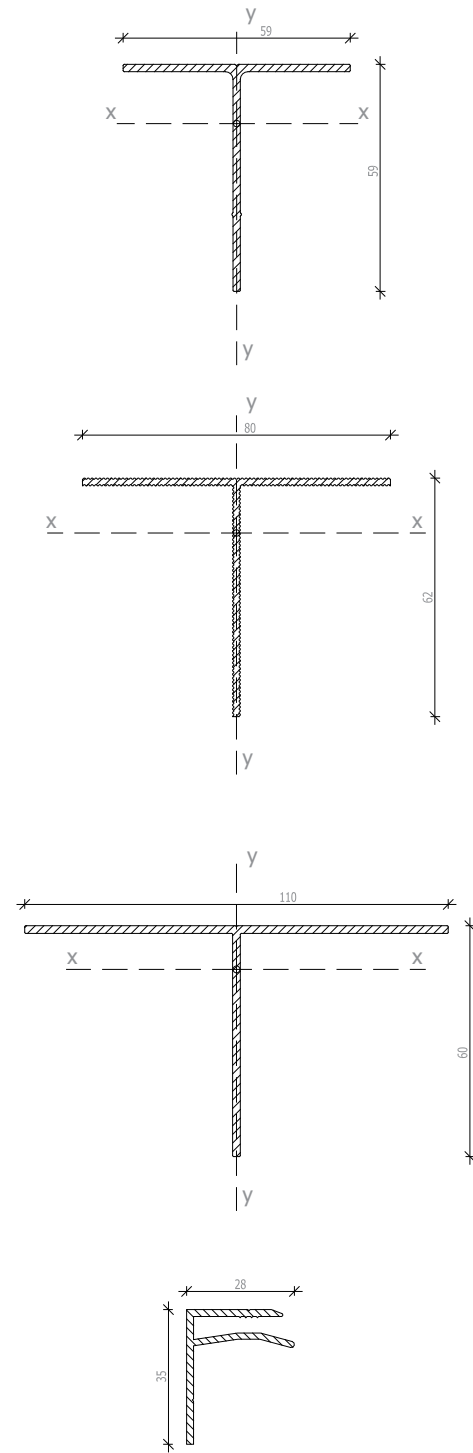
03/2010

The engineering design of this product is an intellectual property of ETEM Building Systems.  
Copying and distributing any parts of the product is a violation of the copyright law.

03/2010

The engineering design of this product is an intellectual property of ETEM Building Systems.  
Copying and distributing any parts of the product is a violation of the copyright law.

# main profile



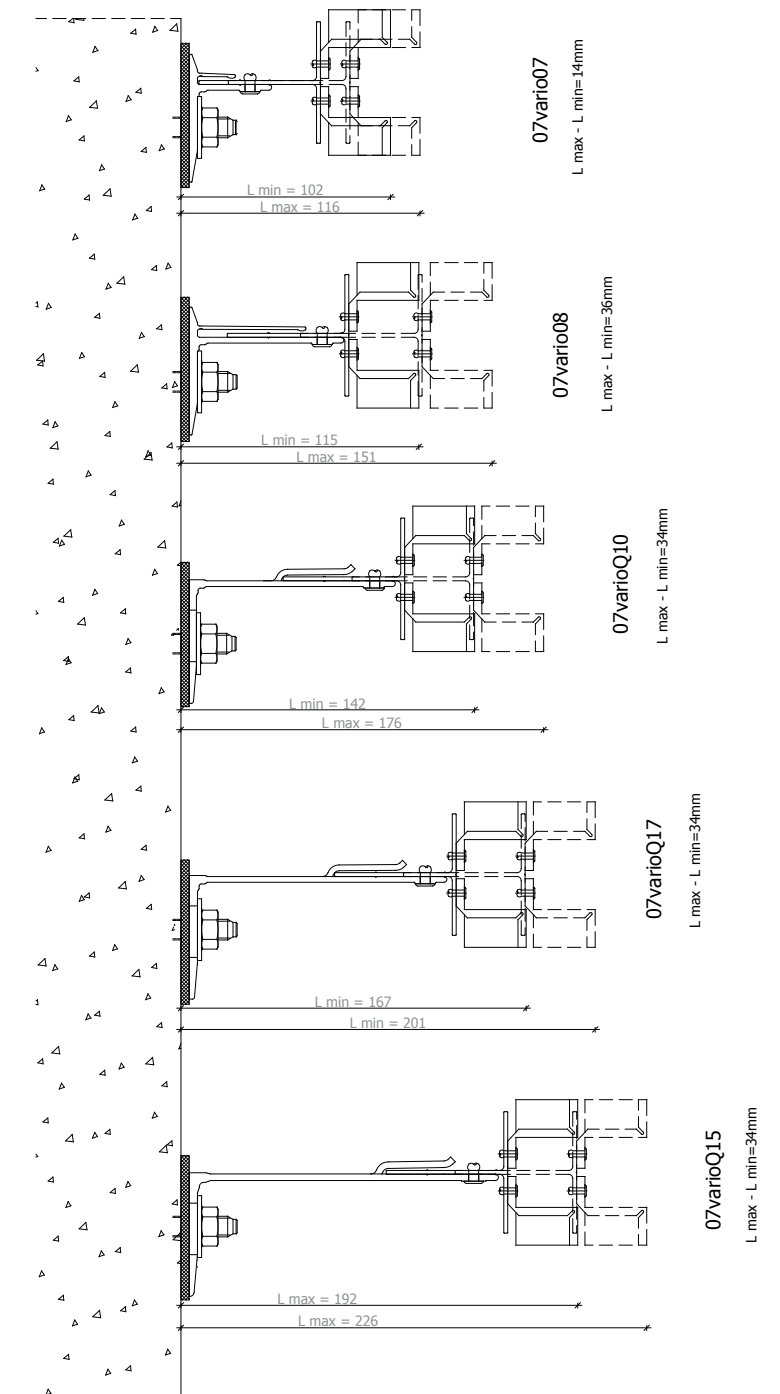
Profile 33570  
 Weight 600.5 g/m  
 $I_x = 7.78 \text{ cm}^4$   
 $W_x = 1.78 \text{ cm}^3$   
 $I_y = 3.25 \text{ cm}^4$   
 $W_y = 1.1 \text{ cm}^3$   
 $A = 2.22 \text{ cm}^2$

Profile 14222  
 Weight 758.5g/m  
 $I_x = 86.70 \text{ cm}^4$   
 $W_x = 18.16 \text{ cm}^3$   
 $I_y = 72.56 \text{ cm}^4$   
 $W_y = 50.85 \text{ cm}^3$   
 $A = 2.38 \text{ cm}^2$

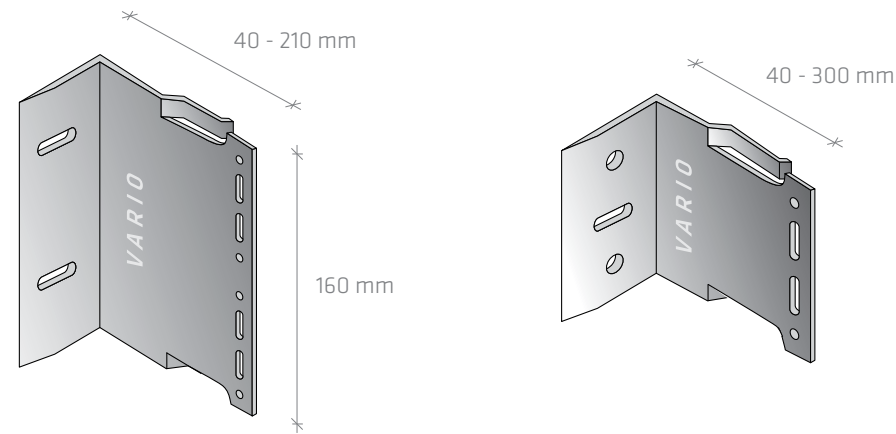
Profile 33548  
 Weight 906.9g/m  
 $I_x = 10.06 \text{ cm}^4$   
 $W_x = 1.83 \text{ cm}^3$   
 $I_y = 22.16 \text{ cm}^4$   
 $W_y = 4.62 \text{ cm}^3$   
 $A = 3.35 \text{ cm}^2$

Profile 31064  
 Weight 392 g/m

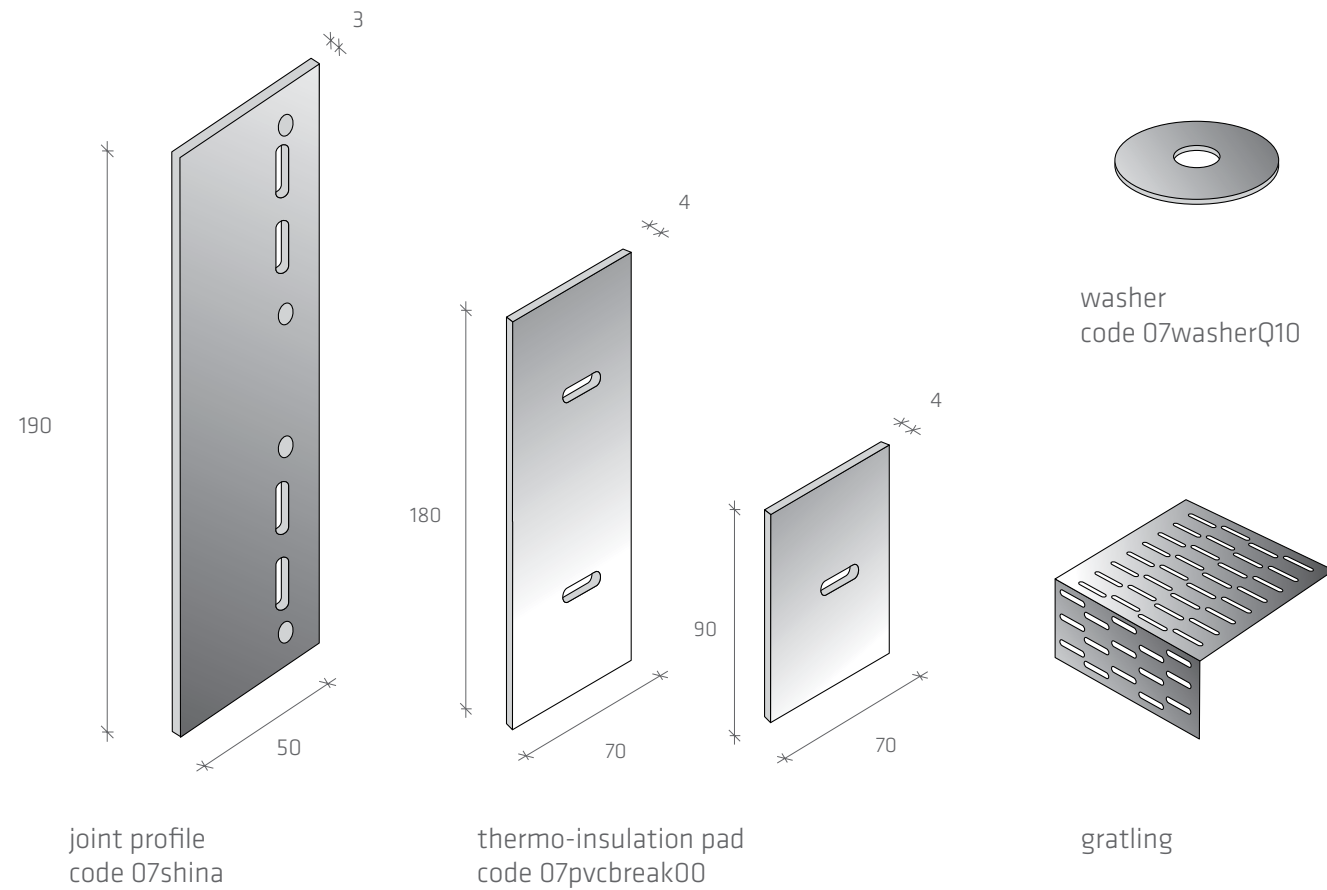
# mounting distance from the construction base of T profile - 33570



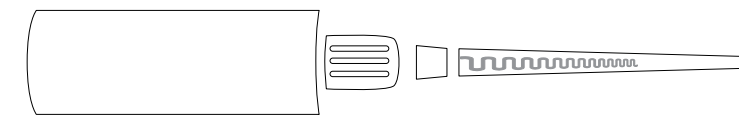
## fixing bracket



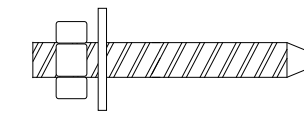
## accessories



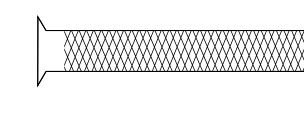
## fastening elements



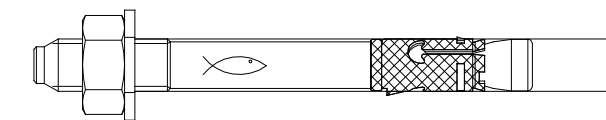
chemical anchor



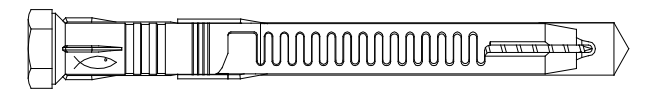
threaded rod



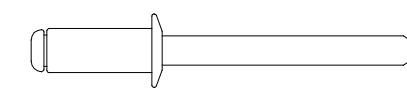
plastic sieve



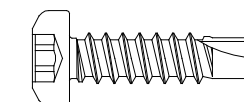
anchor



plug



rivet



self drilling screw

03/2010

The engineering design of this product is an intellectual property of ETEM Building Systems.  
Copying and distributing any parts of the product is a violation of the copyright law.



03/2010

The engineering design of this product is an intellectual property of ETEM Building Systems.  
Copying and distributing any parts of the product is a violation of the copyright law.

